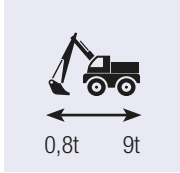




# AlternatiK

MECHANICAL



- Automatic locking
- Integrated safety cam
- Uses the original pins of your machine
- Cast steel parts guaranteeing longevity and robustness
- Compatibility with Retromatic® accessories.

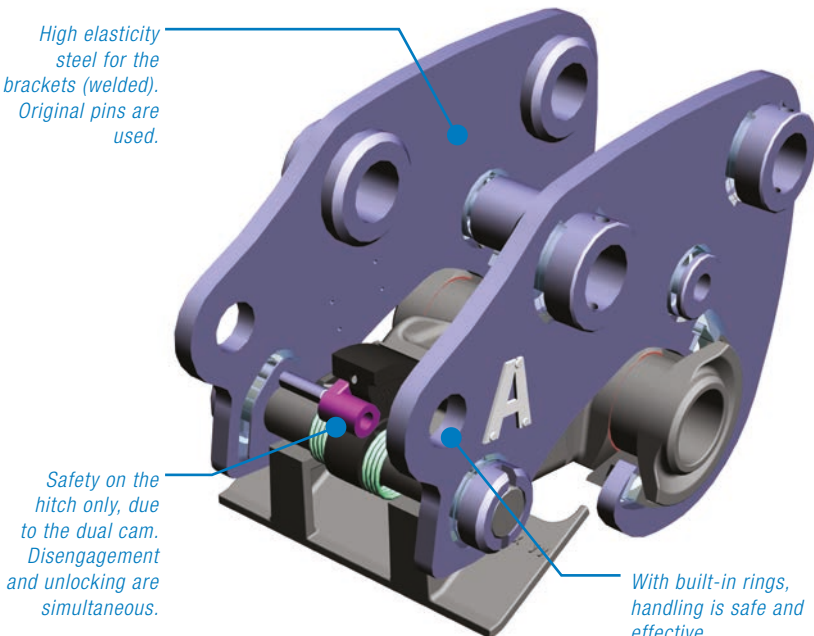
## TAILOR MADE INNOVATION

The new amendment of the European standards imposes a locking system able to secure the quick hitch.

AlternatiK offers a **single safety system**, on the hitch, which guarantees compatibility and total compliance with current standards of the existing attachments.

## TECHNICAL FEATURES

*High elasticity steel for the brackets (welded). Original pins are used.*

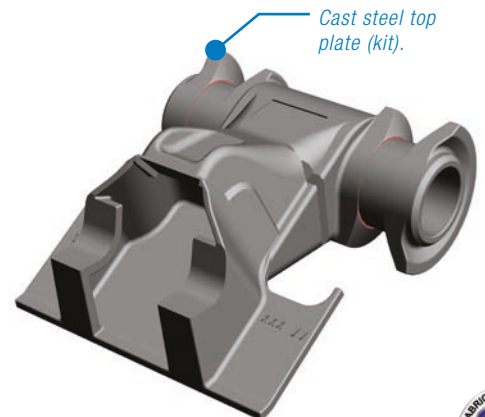


*Safety on the hitch only, due to the dual cam. Disengagement and unlocking are simultaneous.*

*With built-in rings, handling is safe and effective.*



*The second cam automatically prevents disengagement of the kit.*

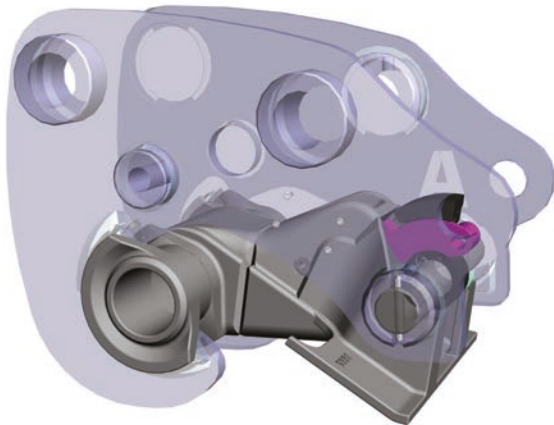


*Cast steel top plate (kit).*





## FOCUS ON The double cam



- ✓ SIMPLE
- ✓ EFFICIENT
- ✓ ROBUST

*A dual cam prevents the attachment to unlock, even in case of loss of the engagement force.*

The safety cam, attached to the main cam, ensures locking in case of failure of the springs.

For a complete disengagement, it will use the key, without any additional manipulation.

The locking is mechanical and its tripping automatic.

Very few spare parts.

**No maintenance required.**



ABOUT  
SAFETY

### THE EUROPEAN STANDARD EN474-1

Amended in 2013 now imposes specific requirements for engagement system and locking system.



**AlternatiK** offers a safety system compatible with **Alternatic®** and **Retromatic®** attachments: the dual cam prevents accidental unlocking at all the time and maintains the tool in working position.

You can update the existing quick hitches with the patented **AlternatiK** cam.



## Attachments compatibility



**HAMMER PLATES**  
with screws or pins



Handling **BUILT-IN RINGS**



A **WIDE RANGE OF BUCKETS**: digging, ditch cleaning, tilting, trapezoidal.



### AlternatiK RANGE

	Width (mm)	Coupler's weight* (kg)	Kit's weight (kg)
<b>Model 0</b> (1 to 2t)	190	16	6
<b>Model 1</b> (2 to 3,5t)	250	29	13
<b>Model 2</b> (3,5 to 5,5t)	265	48	20
<b>Model 3</b> (5,5 to 9t)	350	85	33

\*depending on coupler



**Klac industrie**

#### Klac industrie SAS

288, rue des Saules  
ZA La Saussaye (St Cyr en Val)  
45075 Orléans - Cedex 2  
France

Tel. (33) 2 38 49 82 82  
Fax (33) 2 38 49 82 83

contact@klac-industrie.com

[www.klac-industrie.com](http://www.klac-industrie.com)