

1
WARRANTY

SeleKt

SELECTION AND DEMOLITION CLAMP



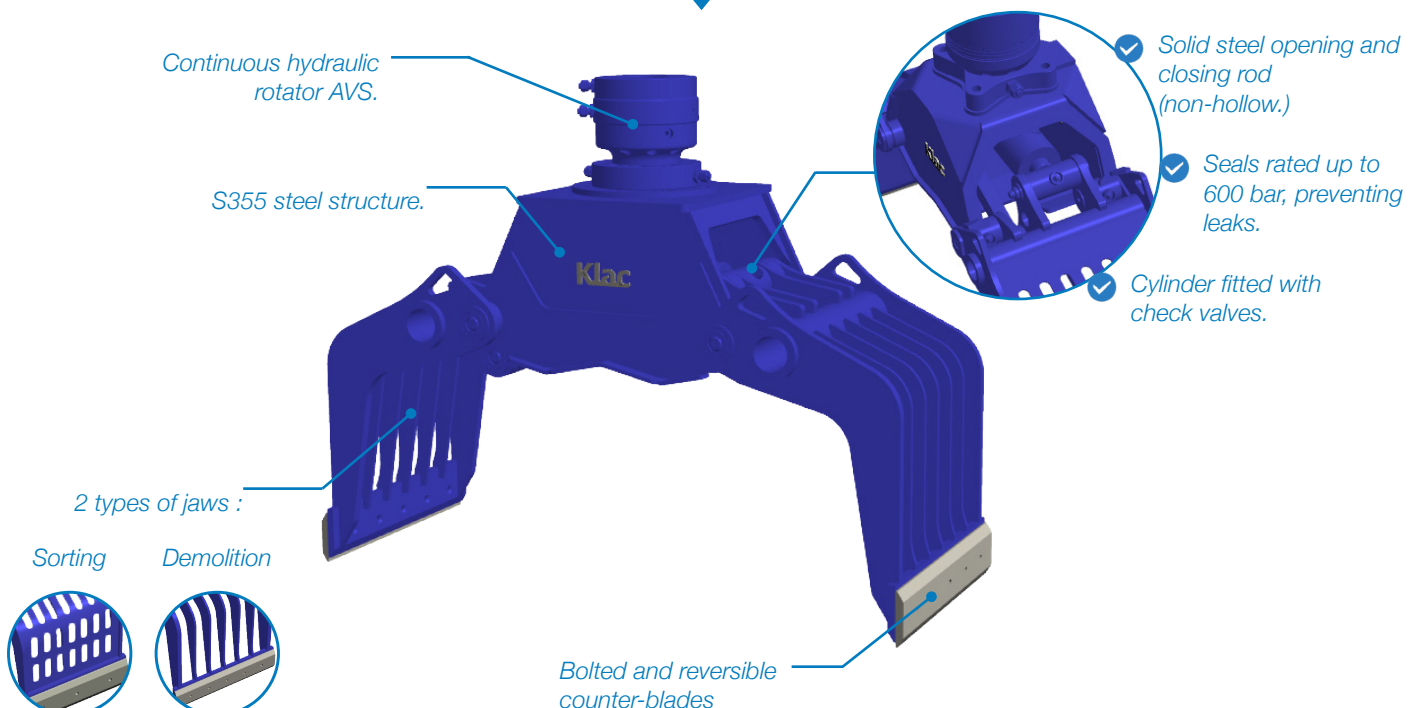
- Compact and simple design, easy to maintain
- Available with 2 types of jaws: Demolition and Sorting
- Replaceable cutting edges made of HB 400 steel guarantees a maximum durability
- Use of S355 high-tensile steel for the manufacturing of structural parts of demolition clamp

THE BEST SELECTION

Demolition grapples are designed to perform small demolitions and to separate materials, waste...

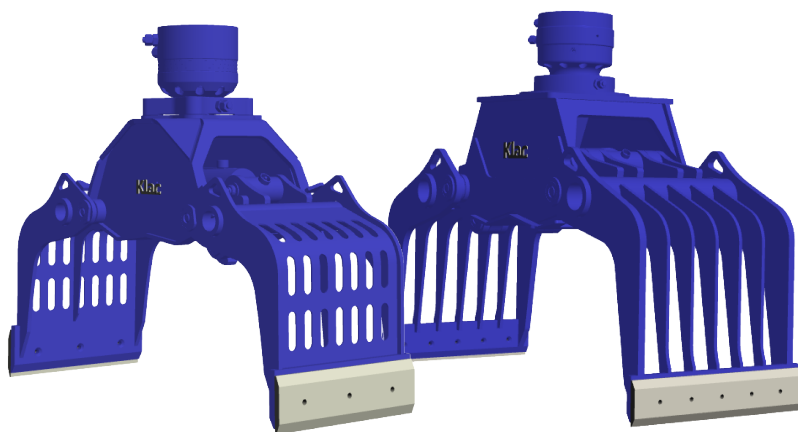
Easy to use and versatile, the demolition clamp for mini excavator is an increasingly popular tool, even on landfill and recycling sites.

TECHNICAL FEATURES





FOCUS ON 2 version



SORTING

- ✓ Perforated jaws.
- ✓ Bolted counterblades.

Suggested applications :
Precise sorting of materials.

DEMOLITION

- ✓ Arms with metal ribs.
- ✓ Bolted counterblades.

Suggested applications :
Light demolition and sorting



SAFETY Question

All models have a double hydraulic cylinder with a check valve.

The blades of the jaws touch at the end of the closing phase, to provide a very precise and firm hold on the objects.

A sorting and demolition grapple is supplied as standard with a hydraulic rotator (no hydraulic pressure problems, no maintenance work, no adjustment of the excavator's hydraulic system).

AVAILABLE WITH



KLAC SYSTEM



KLAC +



ALTERNATIK



THE RANGE SELEKT Selection clamp

	Jaws	Clamp weight kg	Rotator	Rotator weight kg	Total weight kg	Opening mm
Model C / 0 (Mxs of 1 to 2t)	SORTING	84	ARG30.2	20	104	748
Model C / 0 (Mxs of 1,5 to 2,2t)	SORTING	98	ARG30.2	20	118	748
Model D / 1 (Mxs of 1,8 to 2,5t)	SORTING	98	ARG30.2	20	118	748
Model D / 1 (Mxs of 2 to 3t)	SORTING	102	ARG50	28	130	892
Model D / 1 (Mxs of 2,8 to 4t)	DEM	214	ARG50	28	242	1 085
Model E / 2 (Mxs of 3 to 5,5t)	DEM	214	ARH70-2.1	49	263	1 085
Model E / 2 (Mxs of 4 to 6,5t)	DEM	329	ARH70-2.1	49	378	1 304
Model F / 3 (Mxs of 6 to 8t)	DEM	407	ARB80-1	77	484	1 304
Model F / 3 (Mxs of 7 to 12t)	DEM	554	ARB120-2.3	92	646	1 603



Klac industrie

Klac industrie S.A.

288, rue des Saules
Z.A Orléans Sologne
Saint-Cyr-En-Val
45075 Orléans
Cedex 2 France

Tél. (33) 2 38 49 82 82

Fax (33) 2 38 49 82 83

contact@klac-industrie.com

www.klac-industrie.com